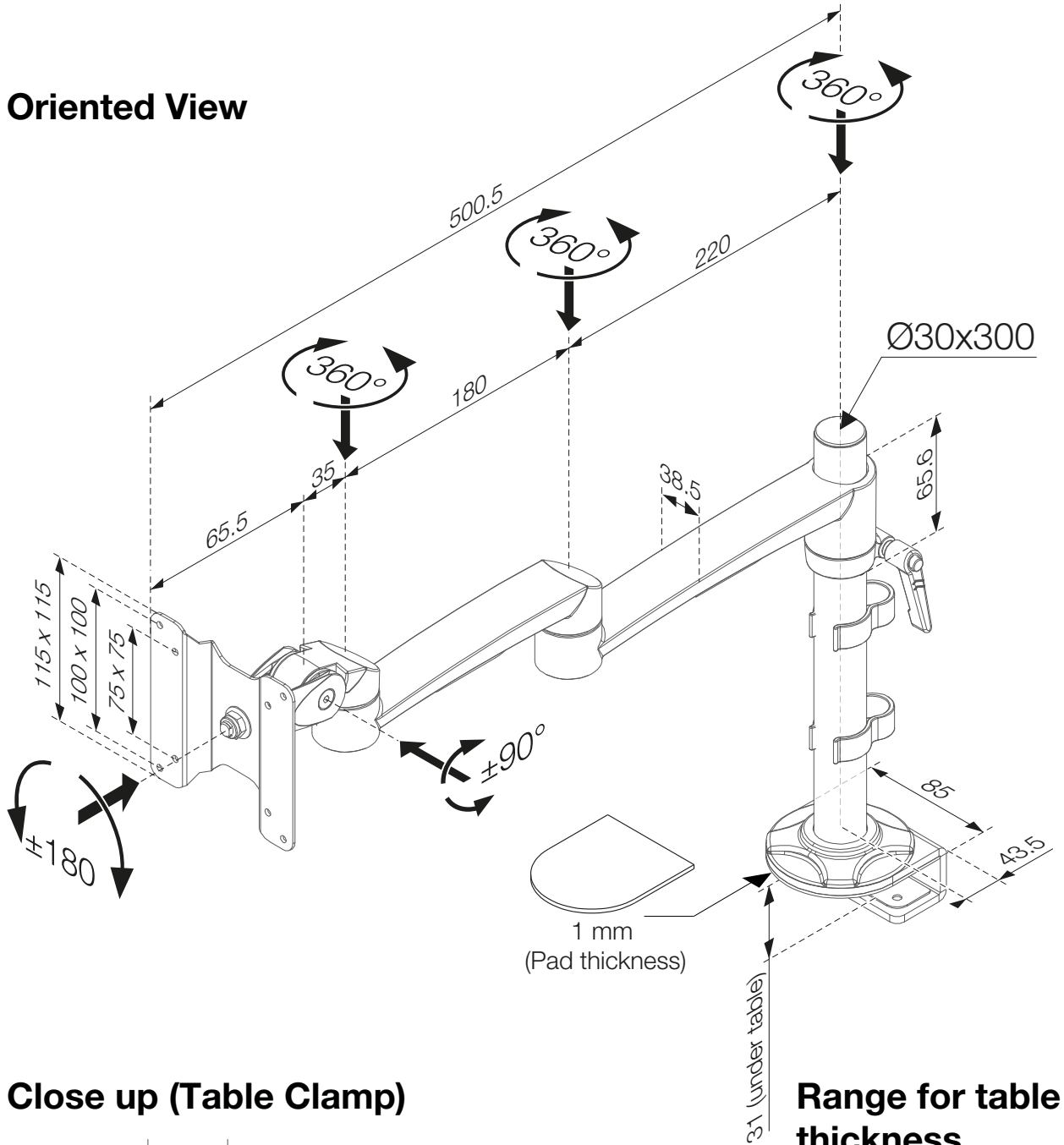




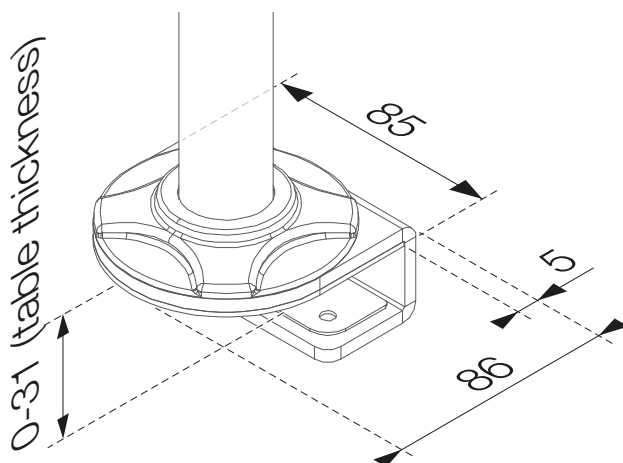
- 438-LC15
- 438-LC15W
- 438-LC15B

Monitor Arm OSLO

Oriented View



Close up (Table Clamp)



Range for table thickness

- 0-31 mm