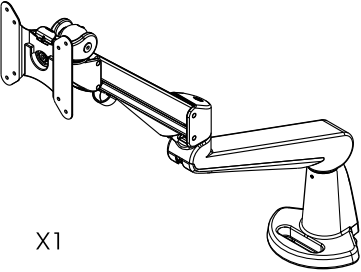








User Manual

Before assembly please spend some time reading this and follow the procedures step by step. Some panels are viewed differently from the detail drawing below. This is for extra clarity. Do not discard any of the packaging until you have checked all the parts and tools. If you are missing any of the parts, please contact your supplier .

Parts and Tools Check List

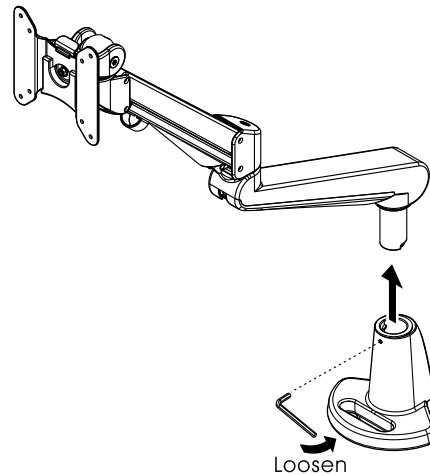
 X1	 X4	 (4mm) X1
	 X1	 (5mm) X1
	 (2mm) X1	 (6mm) X1

Assembly Guide

Step 1

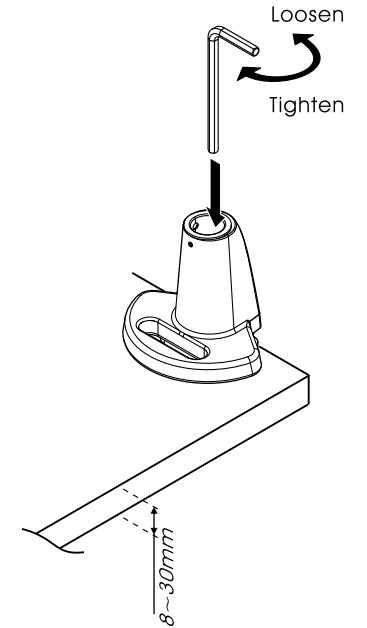
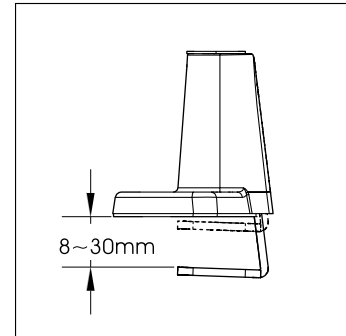
Use 2mm allen key to loosen the screw, then remove the arm from the clamp.

Caution:
Do not lose screw.



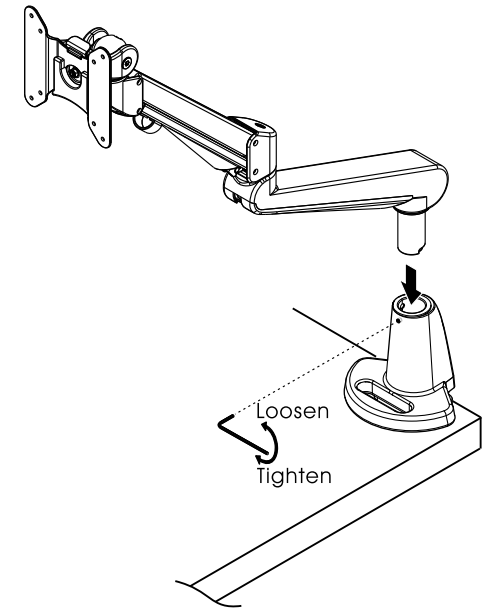
Step 2

Fits desk thicknesses 8~ 30mm, then clamp the arm to the desk.



Step 3

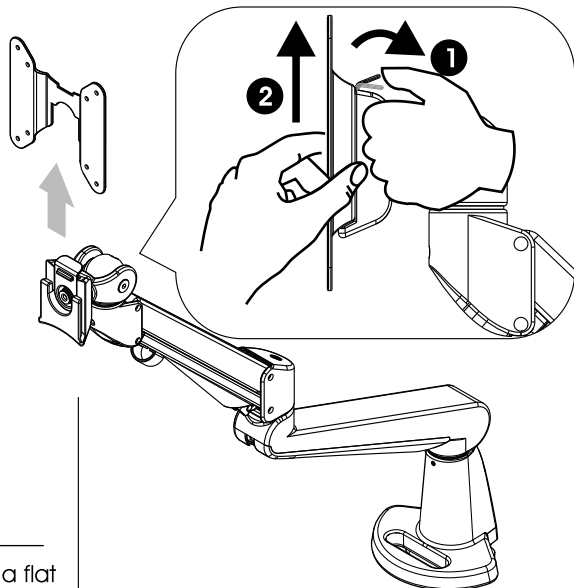
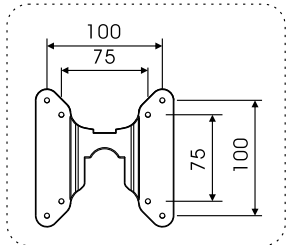
Insert arm portion into clamp. Fasten the screw with 2mm Allen Key, and adjust the tightness of rotation according to your demand.



EA-NA111

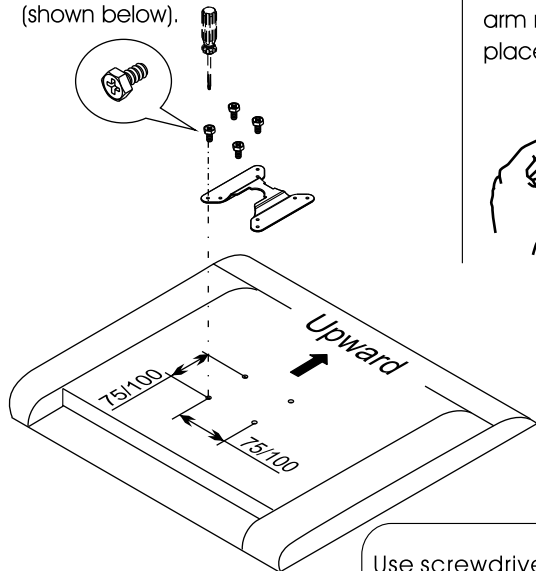
Step 4

Remove the VESA plate by pinching the grey plastic tab to release the lock, then pull the plate upward to separate from the arm.



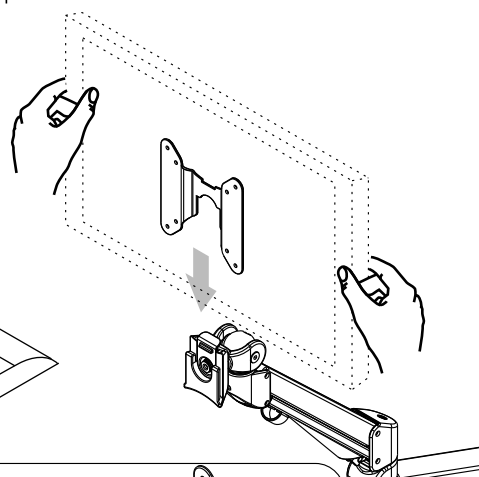
Step 5

Place LCD monitor face down on a flat surface. Align the VESA plate holes with the holes on the back of the monitor and attach using the screws provided (shown below).

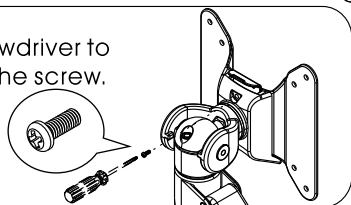


Step 6

Slide the monitor (with VESA plate) onto the arm making sure it "clicks" securely into place.

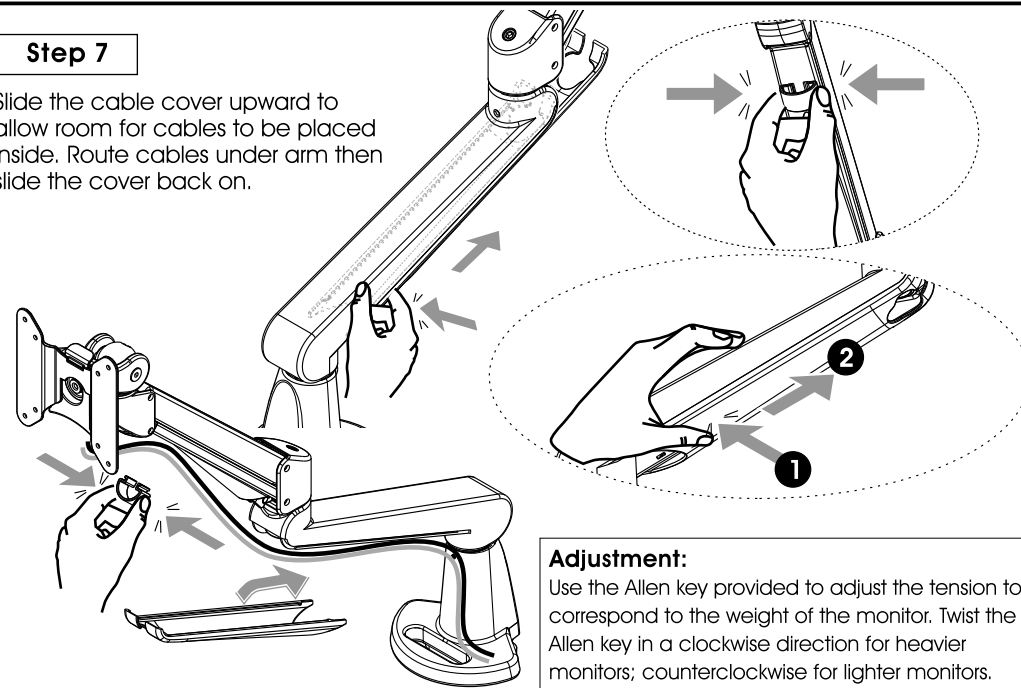


Use screwdriver to tighten the screw.



Step 7

Slide the cable cover upward to allow room for cables to be placed inside. Route cables under arm then slide the cover back on.



Adjustment:

Use the Allen key provided to adjust the tension to correspond to the weight of the monitor. Twist the Allen key in a clockwise direction for heavier monitors; counterclockwise for lighter monitors.

Tension Adjustment

Caution:

Support arm while adjusting tension.

Adjustment:

Use the Allen key provided to adjust the tension to correspond to the weight of the monitor. Twist the Allen key in a clockwise direction for lighter monitors; counterclockwise for heavier monitors.

Weight Capacity:

6.6 ~ 17.6 lbs (3~8kg)

- Products loading capacities are based on monitors' center of gravity less than 3cm from the end of the VESA interface.
- Loading capacity could be reduced if monitor size of greater than 26 inches or depth of greater than 5.5cm.
- All products specifications in catalogues are subject to change without notice.

- Fasten the screw to the bottom with 2 mm Allen key and then move backward one circle to have the limited 180° rotation if necessary.

