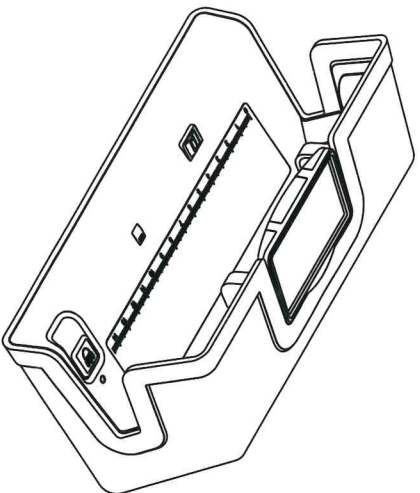


V11/V12/V13 Counterfeit Detector



USER MANUAL

V11/V12/V13 counterfeit detector have the detect function of UV (365nm), WM (Watermark), MG (Magnetism) and Laser (980nm), detect the banknotes, credit card and passport and other security document, which can fully meet the market need.

1. Technology Parameter

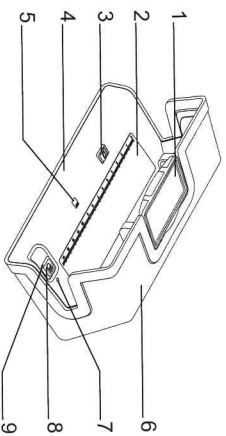
- * Power Supply: DC 5V/1.0A
- * Dimensions: 211x103x103mm (L x W x H)
- * Net Weight: V11: 0.35 kg / V12: 0.41 kg / V13: 0.50 kg
- * Ambient Temperature: 0°C~40°C
- * Storage Temperature: -20°C~40°C
- * Ambient Humidity: 40~90%RH
- * Power Consumption: 5W (Max.)

2. Safety Caution

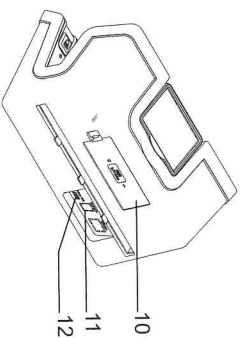
Please follow all warnings and instructions:

- Only allow to use the specified power supply indicated in the label on the back cover or user manual. If not sure the local power type, please consult the local power supply unit.
- May cause the burning, explosion or damage to the unit if not correctly use the specified power supply.
- Do not put anything into the unit, this may cause a short circuit and spark to burning.
- Remove the plug from the socket when meet below situation:
 - A. The power cord or plug is damaged or worn.
 - B. The water seeps into the machine.
 - C. The unit is exposed to rain or water.
 - D. If there is obvious abnormality in the machine performance.
- Do not use this unit in the presence of water or other liquids.
- Remove the plug before cleaning, do not wash with liquid detergent, but clean with a damp cloth.
- In order to avoid electric shock, please do not disassemble the unit, when need the maintenance service, please ask the help of the professional service personnel.
- Do not put the unit under the high temperature and humidity, bright light, otherwise it may miswork, please use indoors, away from the source of interference.
- If do not use for a long time, remove the plug from the wall socket.

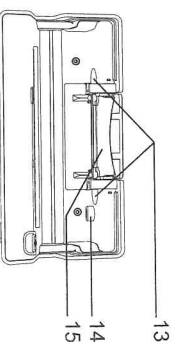
3. Main Spare Part Brief



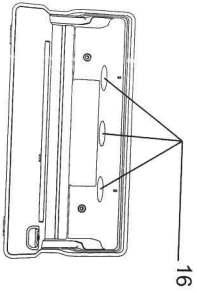
1. Magnifying Lens (for V13 only)
2. Watermark Area (for V12/V13 only)
3. Magnetic Head (for V13 only)
4. Inside Cover
5. UV Feeding Sensor (Auto Start Sensor)
6. Outside Cover
7. Battery Indicator Light
8. Button
9. Power Indicator Light



10. Battery Cover (optional: 18650 lithium battery $\geq 2000\text{mAh}$)
11. DC Power Socket (optional)
12. Micro USB Port



- For V13 only**
13. 2*2W UV(365 nm)
 14. Laser (Optional)
 15. Baffle



For V11/V12 only

- 16. **Basic:** 1*2W UV(365 nm) in the middle area, (if choose the laser function, the location will be in the right of UV light)
- Optional:** 2*2W UV(365 nm) both sides, (if choose the laser function, the location will be in the middle of 2 pcs UV lights)

4.Function Brief

4.1 Product Function

- Standard Mode:** the buzzer beep once for each press (factory setting),
- Silent Mode:** the buzzer is silent for each press.
- Standby Mode:** the light that is currently on will be automatically closed at regular time (factory setting).
- Always Mode:** the light is on all the time.

● **UV**

At the standby state, when the UV feeding sensor is covered to activate, the UV light will be on, or press the button to activate the UV function to observe the ultraviolet image of the banknote or security document. It will automatically enter the standby state after 30 seconds.

● **Watermark (V12/V13 only) :**

Press the button to activate the watermark function, the white light in the watermark area will be on, observe the watermark feature of the banknote or security document. It will automatically enter the standby state after 50 seconds.

● **Magnetism (V13 only) :**

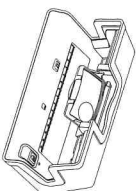
When the unit is turned on, it is activated, to frict the magnetic ink part of the banknote on the magnetic head left and right. If the green light flashes in the watermark area and the buzzer beep at the same time, judge that the friction part has the magnetic ink, otherwise judge as non-magnetic ink.

● **Magnifying Lens (V13 only) :**

Turn the baffle on, turn the magnifying lens down, put the banknote on the watermark board area to observe its micro text.

● **Laser (optional) :**

Press the button to activate if the unit choose the laser function, put the banknote or security document below the laser head, observe the laser icon. It will be automatically enter the standby state after 90 seconds.



● **Lithium Battery Use and Charging Function (optional) :**

If the unit choose this function, it can use the 18650 lithium battery and to be charged in the unit directly. Automatic shutdown after 5 minutes without operation.

Note: the battery capacity must be greater than or equal to 2000mAh.

4.2 Button Function

Long press for 3 seconds	the buzzer beeps once, power on and off status switch.
Long press for 6 seconds	the buzzer beeps twice, standard mode and silent mode switch, when in the status of power-on.
Long press for 6 seconds cover the auto start sensor with the paper	the buzzer beeps long time, the standby mode and always mode switch, when in the status of power-on.
Press one time	UV light on and off, 2 modes switch.
	V11 UV light up and laser light up, 2 modes switch (when with laser light).
	V12/ V13 UV light up, watermark white light up, laser light up, 3 modes switch (when with laser light).

4.3 Lithium Battery Use and Charging Function Brief (optional)

Status	Explanation
Battery indicator light is not on	No battery or no charge
Battery indicator red light is always on	Be charging
Battery indicator green light is always on	Charge complete
Battery indicator red light flash	Out of order (charge timeout or over voltage)

Warm Tips:

1. Do not install the battery in reverse, do not put together with the key and other metal items.
2. Take out the battery when the unit is out of use for a long time.
3. When the battery power is about to run out, please charge it as soon as possible, otherwise the battery will be scrapped. It should be recharged at least once when leaving unused for a month.

5 Daily Maintenance and Repair

- Clean the dust at fixed period for several months, so as not to affect the performance.
- In order to ensure your life safety, we remind you must use a well grounded DC power supply;
- Do not put in damp place, in case of electric leakage and electric shock.
- When not using the unit for a long time, please turn off the power to extend the service life;
- Any abnormal situation or fault should be dealt with in time or contacted with the after-sales service personnel;
- In order to make sure the unit's counterfeit detection ability and work properly, please do not let the unit work in the strong magnetic and light environment.